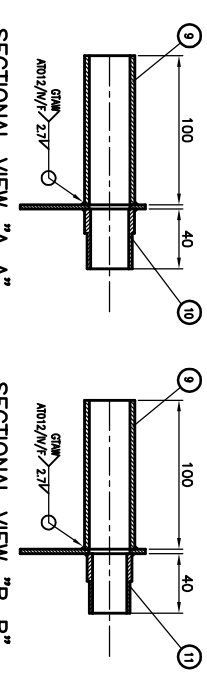
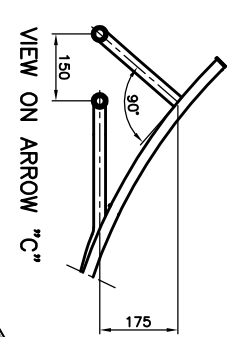


BOTTOM VIEW

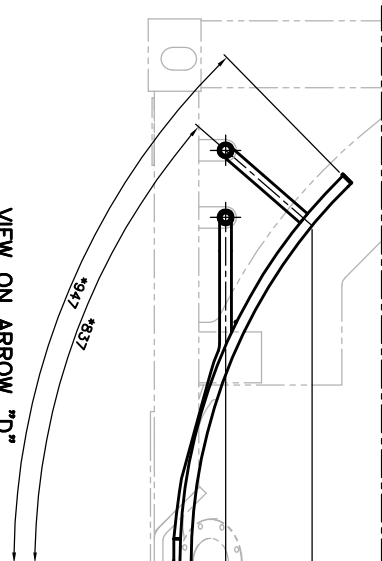


SECTIONAL VIEW "A-A"
 Steam Inlet (1" B.S.P.)

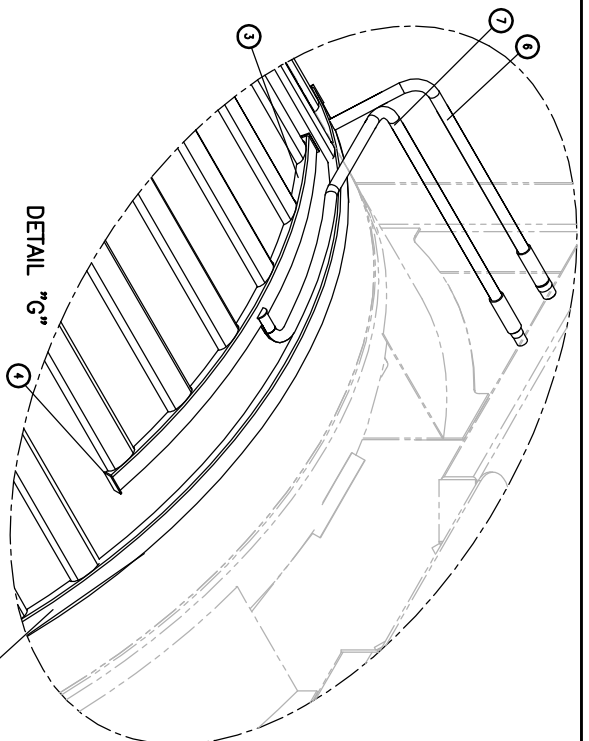
SECTIONAL VIEW "B-B"
 Steam Outlet (3/4" B.S.P.)



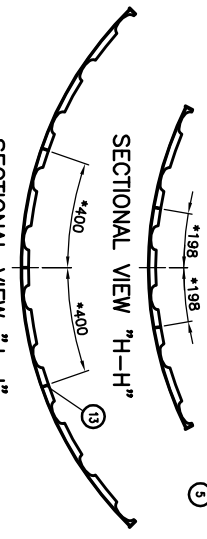
VIEW ON ARROW "C"



VIEW ON ARROW "D"



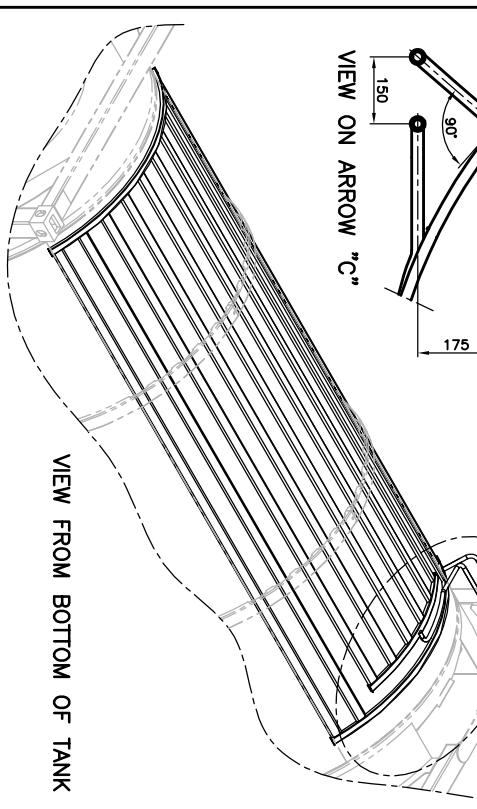
DETAIL "G"



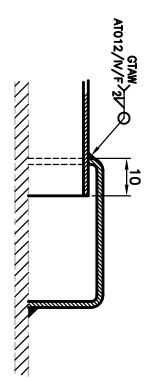
SECTIONAL VIEW "H-H"

SECTIONAL VIEW "J-J"

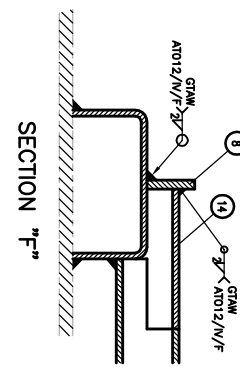
*DIMENSIONS TAKEN ON INSIDE OF RING / OUTSIDE OF VESSEL



VIEW FROM BOTTOM OF TANK



SECTION "E-E"



SECTION "F-F"

ITEM	QTY	DESCRIPTION	UNIT	REMARKS	DATE		
14	1	CLOSE.Ø26.7x2.11Wx50mm-HALF	50	27	3/4" SCHED. 0 S/S 304L R0113325TM-A	0.1	
13	5	CLOSE.CHNL.INSIDE.RCT	44	23	2MM. S/S 304L	50.0	
12	1	SHT.STM-CHANNEL.CLOSED.R1190	1939	92	2MM. S/S 304L	SHT02425TM-A	2.9
11	1	3/4" BSPx40MM.PE.WALE	40	27	S/S 304L	ANCO002NIP-A	0.0
10	1	1" BSPx40MM.PARALLEL	40	34	S/S 304L	ANCO005NIP-A	0.0
9	2	ELECT.CASS.Øx100MM	100	33.4	1 SCHED.0 S/S 304L	R0102825TM-B	0.4
8	1	CLOSE.R16	32	16	2MM. S/S 304L	SHT00965TM-B	0.0
7	1	ELE.Ø67.R55.Ø26.7x17x802mm	1487	27	3/4" SCHED.0 S/S 304L R011745TM-A	1.9	
6	1	ELE.Ø67.R55.Ø26.7x17x239mm	810	27	3/4" SCHED.0 S/S 304L R011745TM-A	0.0	
5	1	SHT.STM-CHANNEL.CLOSED.R1190	1939	92	2MM. S/S 304L	SHT02325TM-A	2.9
4	6	CLOSE.CHNL.END.RCT	60	30	3MM. S/S 304L	SHT00875TM-A	0.2
3	1	SHT.STM-CHANNEL.CLOSED.R1190	1115	92	2MM. S/S 304L	SHT02125TM-A	1.7
2	6	ACQ.DWN.Ø1FLNG.4x35mm	4435	92	1.5MM. S/S 304L	SHT01335TM-A	31.6
1	4	ACQ.DWN.FLNG.4610mm	4610	92	1.5MM. S/S 304L	SHT0285TM-A	21.9

WEIR ODDY
 DRAWING NO: **STM0014BUG250-A**
 FORM: A2H
 DATE: _____
 REVISIONS: _____
 BY: _____